

# ES880-N1 Wiring Diagram

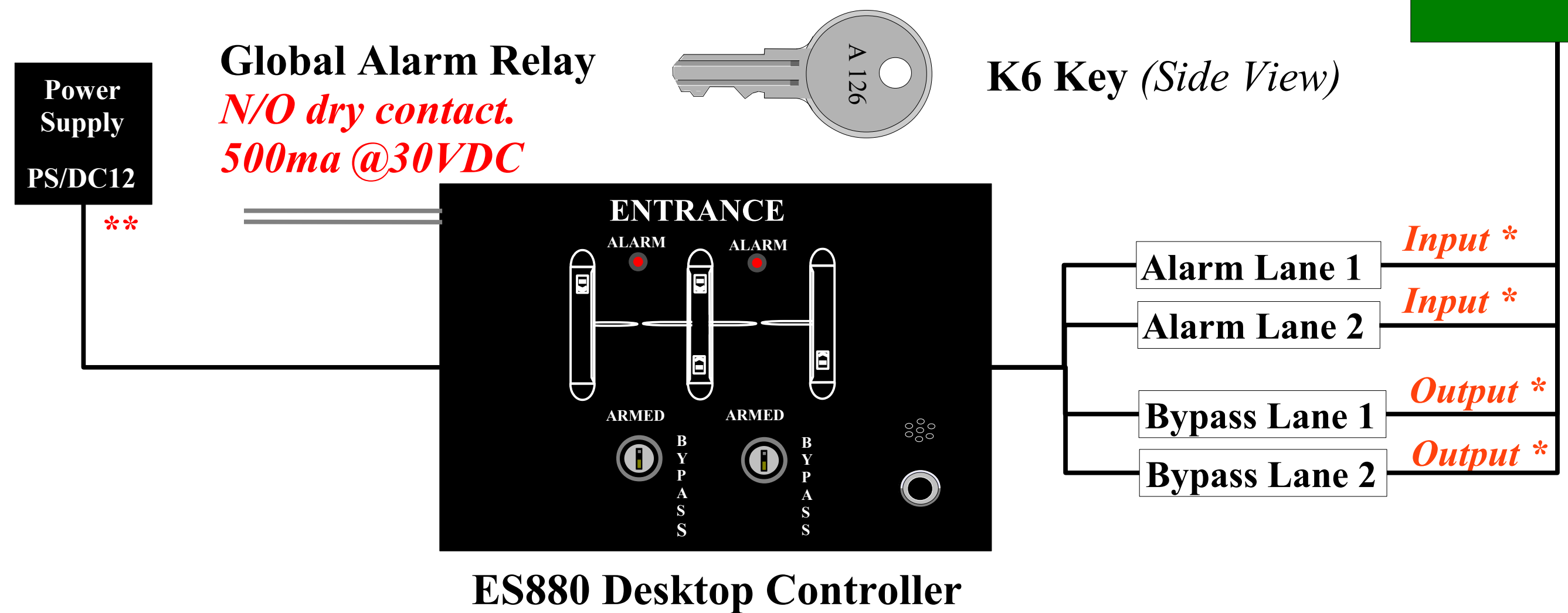
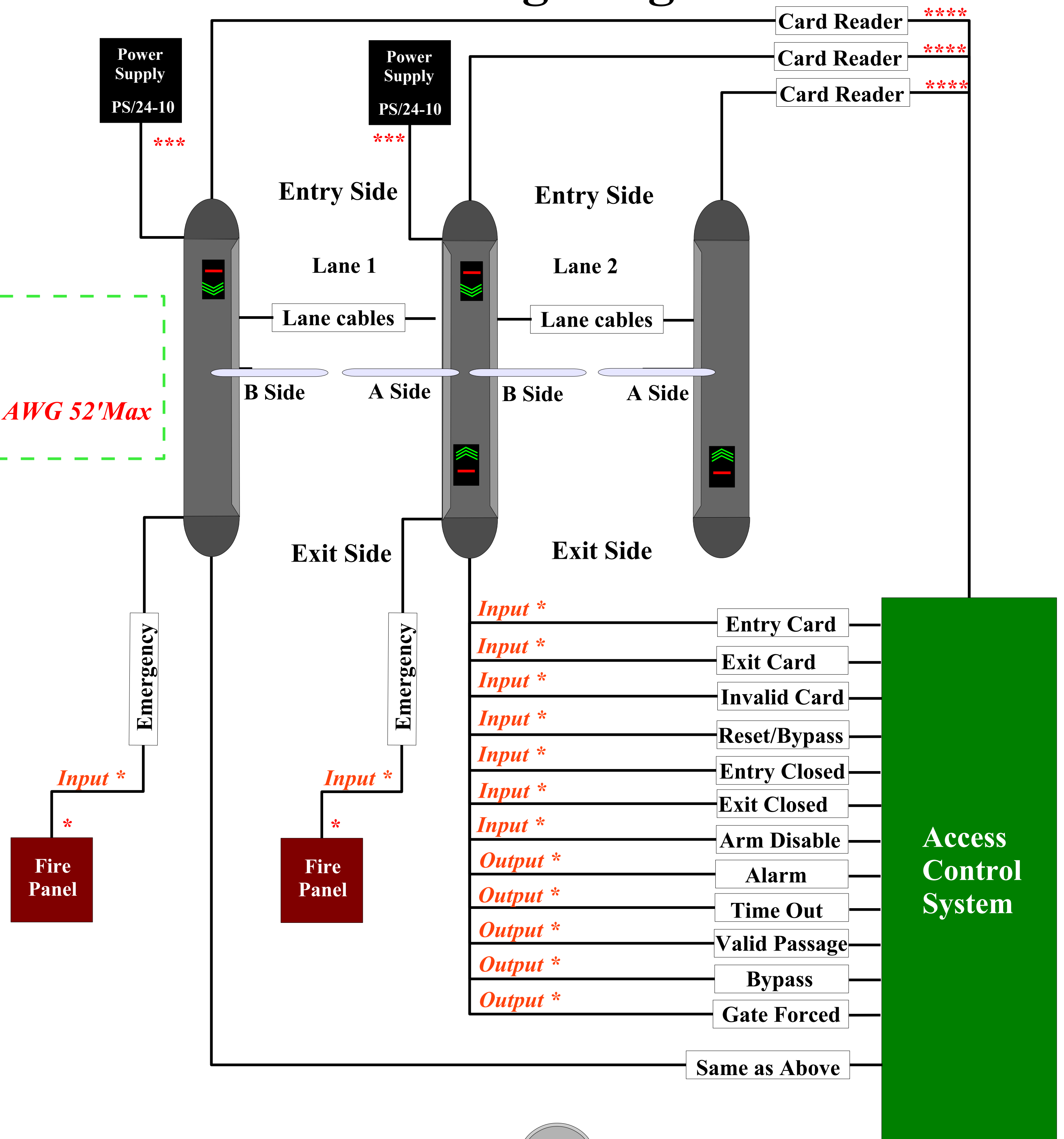
**Note:ES880**

- \* 2 conductor 22AWG
- \*\* 2 conductor 18 AWG
- \*\*\* 2 conductor 14 AWG 35' Max, 12 AWG 52'Max
- \*\*\*\* 4 to 8 conductor 22AWG

**Note:ES880**

Lane Cables: Provided by DSI

- 1ea = VGA
- 1ea = HGA
- 1ea = Motor Cable
- 1ea = Encoder Cable
- 1ea = Lock Cable
- 1ea = Gate Sensor



**Desktop Specifications:**

- Power: 12VDC at (150ma)
- Input: N/O dry contact
- Output: N/O global alarm relay 500ma at 30 VDC
- Horn Volume: 70 db