

**ES411-KO**

- Stand alone access control
- Notifies area personnel of security breach
- Local audible alarm alerts users of door prop condition
- Reduces false alarms caused by unintentional door propping

Operation

The **ES411 Series Door Prop Alarm** provides a unique solution for the common security problem of propped doors (door held). These units are typically mounted near the monitored door. When the door has been held open longer than the preset time interval (adjustable 0-60 sec) the local audible alarm sounds to advise that the door should be closed. When the door is closed, the alarm is silenced and the timing circuit is automatically reset.

This unit also has an alarm status relay to enable remote monitoring of door alarms. The relay and audible alarm are activated after time delay expires.

ES300
ES411
 ES4200
 ES4300A
 ES440
 ES450
 ES4600
 ES500

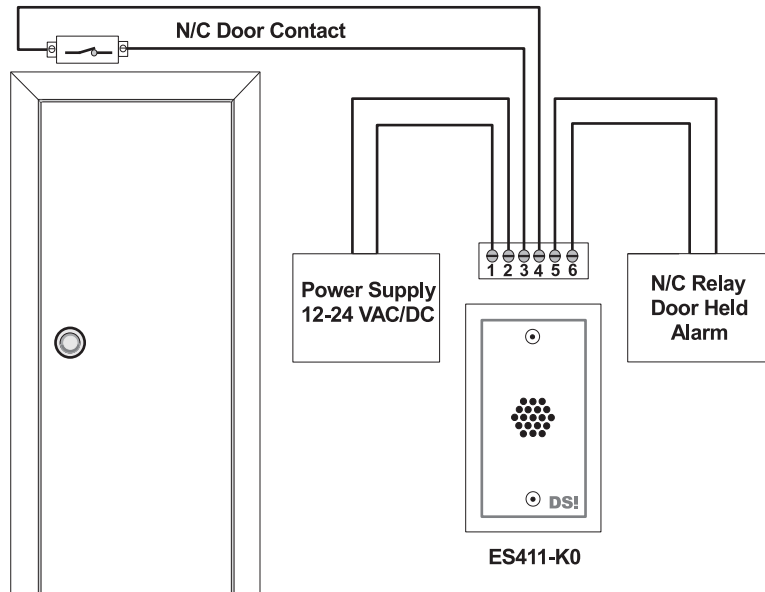
Electrical Specifications

Power	12-24 VAC/VDC @ 100 mA
Local Control	Key switch for reset/bypass
Control Input	N/C door contact
Control Output	N/C, 500 mA @ 30 VDC
Delay Time	Adjustable 0-60 seconds
Alarm	80dB @ 3 ft

Mechanical Specifications

Dimensions	ES411-K0	2.76”w x 4.60”h x 1.49”d
	ES411-K1	4.60”w x 4.60”h x 1.49”d
	ES411-K6	4.60”w x 4.60”h x 1.49”d
Key Switch Options	K0 No key switch K1 Double Bit K6 DPDT	
Finish	Painted - DSI Beige	

Door Prop Alarm Application



The **ES411 Door Prop Alarm** gives an audible warning tone whenever employees/tenants leave monitored doors open longer than necessary for normal door use (adj 0-60 seconds).

This encourages them to close the door, which silences the audible alarm.

The “Door Held Alarm” contact may be monitored remotely to record the violation or to alert security.

Wiring Diagram

