



Shown with mortise cylinder
(cylinder sold separately - add xMC65 to
order the ES300W with mortise cylinder)

Benefits

- Low cost solution to propped open doors
- Weatherized for outdoor environments
- Helps keep energy costs down by ensuring doors are closed
- Quick, easy installation saves time and money
- Alarm silences when door is closed, no waiting for key-holder to arrive

The **ES300W Series Battery Powered Weatherized Door Prop Alarm** is designed for applications where doors may be used for egress or ingress, but may not be held or propped open, particularly doors that open to the outdoors or wet environments. Door open times from 1 second to 4 minutes (15 second default) are field selectable. The smaller size makes installation quick and easy.

- Patented plastic template allows for foolproof alignment of internal magnetic door contact and accurate installation
- Surface door mount (factory standard) or wall mount with external magnetic switches. Easy to install using ordinary tools
- Intelligent circuit senses the external magnet location automatically and sets the correct door handling
- Available with field selectable door prop timing options
- Tapered cover allows for installation on narrow stile doors, 2" minimum.
- Patented cam assembly automatically adjusts for different sizes of cylinders without the use of spacers
- Mortise cylinder required with standard Yale cam for inside key control
- Improved electronic circuits for longer battery life, LED functions
- Tamper resistant housing with cover lock, protects electronics and battery from manipulation
- Weatherized electronics certified to driving rain and salt fog tests
- UL Listed (see listings & approvals)

Technical Specifications

- Approximate 100 dB piezo alarm
- Mortise cylinder key switch arming
- 9 VDC battery powered
- Low battery alert
- Manual arming, disarming & rearming
- LED visual arming indicators
- Audible arming indicators
- Fits 2" narrow stile doors
- Alarm accepts 5, 6 and 7 pin standard and interchangeable core mortise cylinders with a standard Yale cam
- Field selectable door prop timing
- Field selectable status indicators

Finish

- GY - Grey

Options/accessories

- K5 mortise cylinder pre-installed at factory (add xMC65)
- Recessed or surface mount door contacts
- Cylinder nut wrench

Operation

- To arm: close the door and turn the key CCW to the 'ON' position. The red LED will flash twice indicating that the device is now armed.
- To disarm: Insert and rotate the key clockwise to the 2 o'clock position. Key may be removed. Alarm is now disarmed and will not sound.

Listings and Approvals



"UL Listed Miscellaneous Fire Door Accessory"

UL1034 - 33 Temperature Section 33 [temperature range -31° F (-35° C) to 150° F (+66° C)]

UL1034 - 53 Dust Section 53

MIL-STD 810F, Method 506.4 (Driving Rain Test)

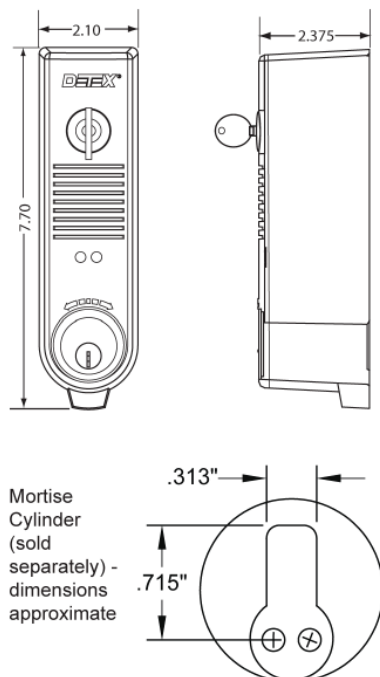
MIL-STD 810F, Method 509.4 (Salt Fog Test)



ANSI/BHMA A156.29

Dimensions

Front and Side View



Riser Diagram

