

Full Height Turnstile

DSP60 Tiffany Series

Interior Application

The DSP60 is a three-vane turnstile with an anodized aluminum finish and is shipped pre-configured to your security needs. It is constructed with a heavy duty overhead canopy, extruded aluminum columns, MR10 Lexan— polycarbonate cage panels, and ¾" MP750 Lexguard® arm panels for a more modern and open look.



DSP60 Series



FEATURES & BENEFITS

- Your choice of clear or dark bronze
- Automatic indent Feather-Touch action that includes shock suppressor technology and a non-entrapment design
- Ideal for corporate headquarters, or anywhere that high security functionality and top-notch appearance are desired
- Scratch resistant Lexguard® arms
- Auto indexing (self centering) with adjustable hydraulic shock suppression

DSI®
DESIGNED SECURITY, INC.
Building Security

1402 Hawthorne St.
Bastrop, TX 78602
Voice: 1-800-272-3555
Fax: 1-512-321-9181
E-mail: dsi@dsigo.com
www.dsigo.com

DSP60 Interior Application

Applications:

Featuring scratch resistant Lexguard® arms for a more modern and open look, the DSP60 turnstile provides a high security solution without compromising facility aesthetics.

Product Features:

Dimensions:

Arm Panels: .75" x 21.25" x 31"
Exterior Height: 91"
Interior Height: 84"
Diameter: 72.284"
Pedestrian Clearance: 30"

Finish:

Standard anodized finish choices are clear and bronze. Other colors are available upon request.

Construction:

Materials:

Various 6061 & 6063 extruded aluminum
3/16" MR10 Lexan® polycarbonate
3/4" MP750 Lexguard® laminate
7 & 11 gauge steel (mainframe/canopy)
Anodized aluminum sheet, canopy wrap

Assembly:

Major lower components assembled with concealed spring pins and solid rods

Hardware:

- All exposed hardware stainless steel
- Canopy & outer cage panels secured to concrete with 3/4" threaded rods, epoxied into concrete
- Rotor pivots on a sealed load runner bearing, secured with high strength plastic coupling anchored onto concrete

Operation:

6500 Series Control Head,

Featuring:

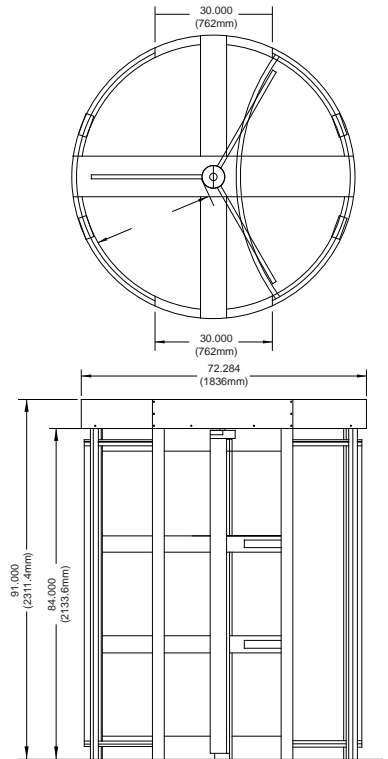
- Auto indexing (self centering) with adjustable hydraulic shock suppression
- Hardened tool steel locking bars, cam and roller assemblies
- Permanently lubricated bearings
- Your choice of manual or electronic control, both directions
- Nearly universal integration to any number of access control systems
- Your choice on each electronic direction of locking or unlocking on power failure

Options:

- Card reader mounting plates
- Daylight visible indicator lights
- Bi-directional key overrides
- Low voltage canopy lighting
- 8 digit key resettable LCD counter with seven year lithium battery
- Additional options available upon request

Warranty:

Units are warranted against defects in materials and workmanship for a period of one year from date of invoice.



Electrical Specifications:

Input voltage: 100-240 VAC
Input current: .55 - 1.3 A
Frequency: 50/60 Hz

Storage temperature: -4 - 158 °F
Operating temperature: 32 - 122 °F
Operating voltage: 24VDC
Operating current: 1.2 A (typical)