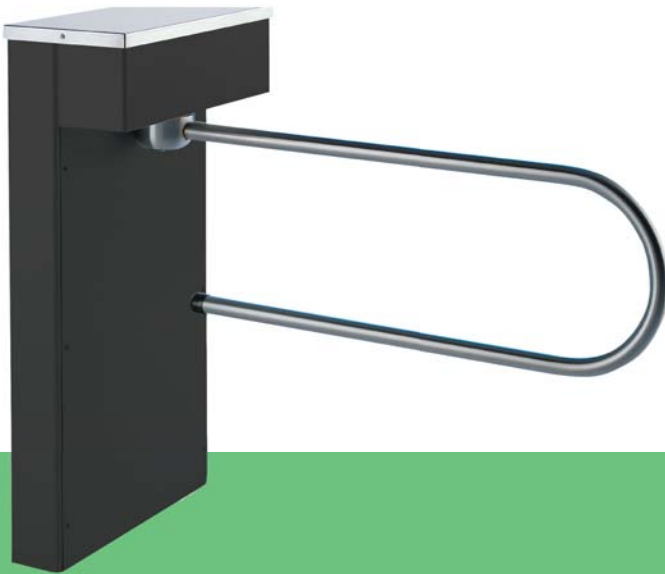


Waist High ADA Gate

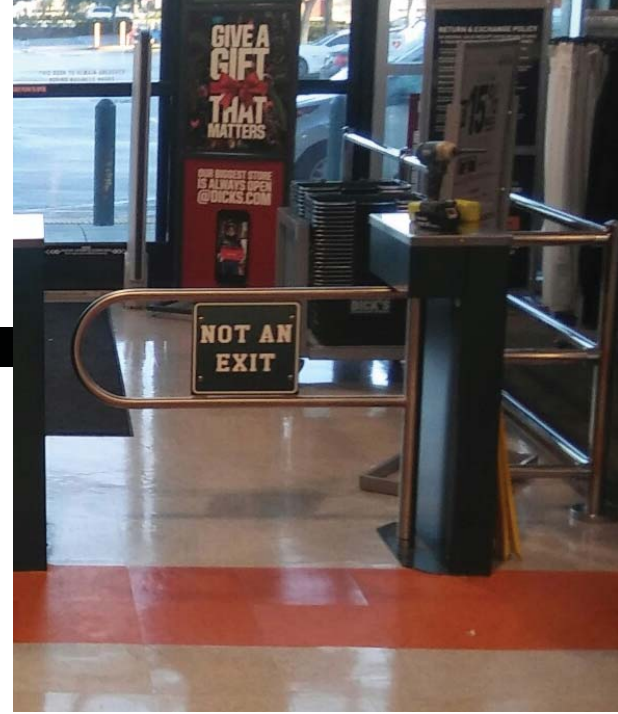
DS5000-ADA Swing gate

Interior & Exterior Application

The DS5000 Series units operate reliably with high traffic volumes where cost is an important consideration. Heavy 7-gauge carbon steel cabinets can be interfaced with optional LCD counters, card readers, push button and wireless remotes. This product is the ADA compliant sister unit to our DS5500 tripod turnstiles.



DS5000-ADA Swing Gate



FEATURES AND BENEFITS

- Designed for secure and reliable operation with aesthetics in mind
- Heavy gauge carbon steel cabinet with stainless top, arms and hub
- Easy installation
- Arm lengths up to 40"
- Will interface with counters, access control, push buttons and remote controls
- Minimal exposed hardware
- Can be configured as a portable unit

Standard powder coating color selections:



Additional colors are available and can be quoted upon request.

DSI[®]
DESIGNED SECURITY, INC.
Building Security

1402 Hawthorne St.
Bastrop, TX 78602
Voice: 1-800-272-3555
Fax: 1-512-321-9181
E-mail: dsi@dsigo.com
www.dsigo.com

DS5000 ADA Swing Gate - Interior & Exterior Application

Applications:

This versatile line of turnstiles is made for years of reliable service (and offers many options) where cost is an important consideration.

Product Features:

Materials and Finishes available in your choice of:

- Lid: 304 stainless steel /No. 4 satin finish
- Cabinet: Your choice of designer powder coat colors to match any décor. Black is standard.

Design & Construction:

- Designed for secure and reliable operation with aesthetics in mind
- Cabinet upper and lower shells are constructed with rigid (7 gauge) carbon steel
- Cover is constructed with (14 gauge) 304 stainless steel, No. 4 satin finish
- Arm assembly constructed with 1 5/16" (33mm) diameter, (12 gauge) stainless steel
- Hub 4 1/2" (114mm) o.d. also made from stainless
- Minimal exposed hardware

Measures:

- Height: 37" (939.8mm)
- Width: 20.125" (511.1mm)
- Depth: 10.375" (263.5mm)
- Base: 4.375" (111.1mm)
- Arm length: 34.437" (874.6mm)

Operation:

Control Head, featuring:

- Auto-indexing (self-centering) with adjustable hydraulic shock suppression
- Hardened tool steel locking bars, cam and roller assemblies
- Permanently lubricated bearings
- Your choice of manual or electronic control on both directions
- Nearly universal integration to any number of access control systems
- Your choice on each electronic direction of locking or unlocking on power failure

Options:

- Bidirectional key overrides
- Daylight visible indicator lights
- 8 digit key resettable LCD counter with seven year lithium battery
- Variable arm lengths (up to 40")
- Signage brackets
- Straight arm (instead of U-arm)
- Additional options available on request

Electrical Specifications:

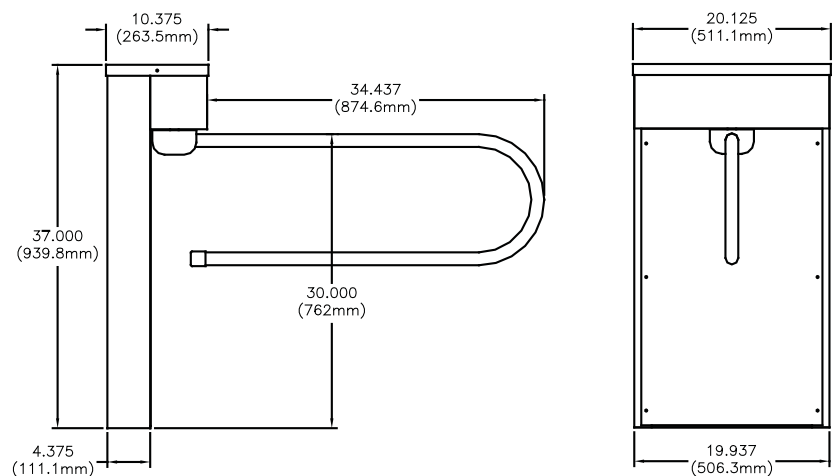
Input Voltage: 100-240 VAC
Input Current: 1.3 - .55 A
Frequency: 50/60 Hz
Storage Temperature: -4 to 158°F
Operating Temperature: 32 to 122°F
Operating Voltage: 24VDC
Operating Current: 1.2 A (typical)

Standards and Codes:

Austenitic stainless steel:
ASTM A240, A249, A276
Hot rolled steel:
AISI C-1020, AISI C-1018
Hot dipped galvanizing:
ASTM A-143, ASTM A-153-80
Stainless steel fasteners:
ASTM A-320
American Welding Society (AWS)
Standard D 1.1

Warranty:

Units are warranted against defects in materials and workmanship for a period of one year from date of invoice.



1402 Hawthorne St.
Bastrop, TX 78602
Voice: 1-800-272-3555
Fax: 1-512-321-9181
E-mail: dsi@dsigo.com
www.dsigo.com