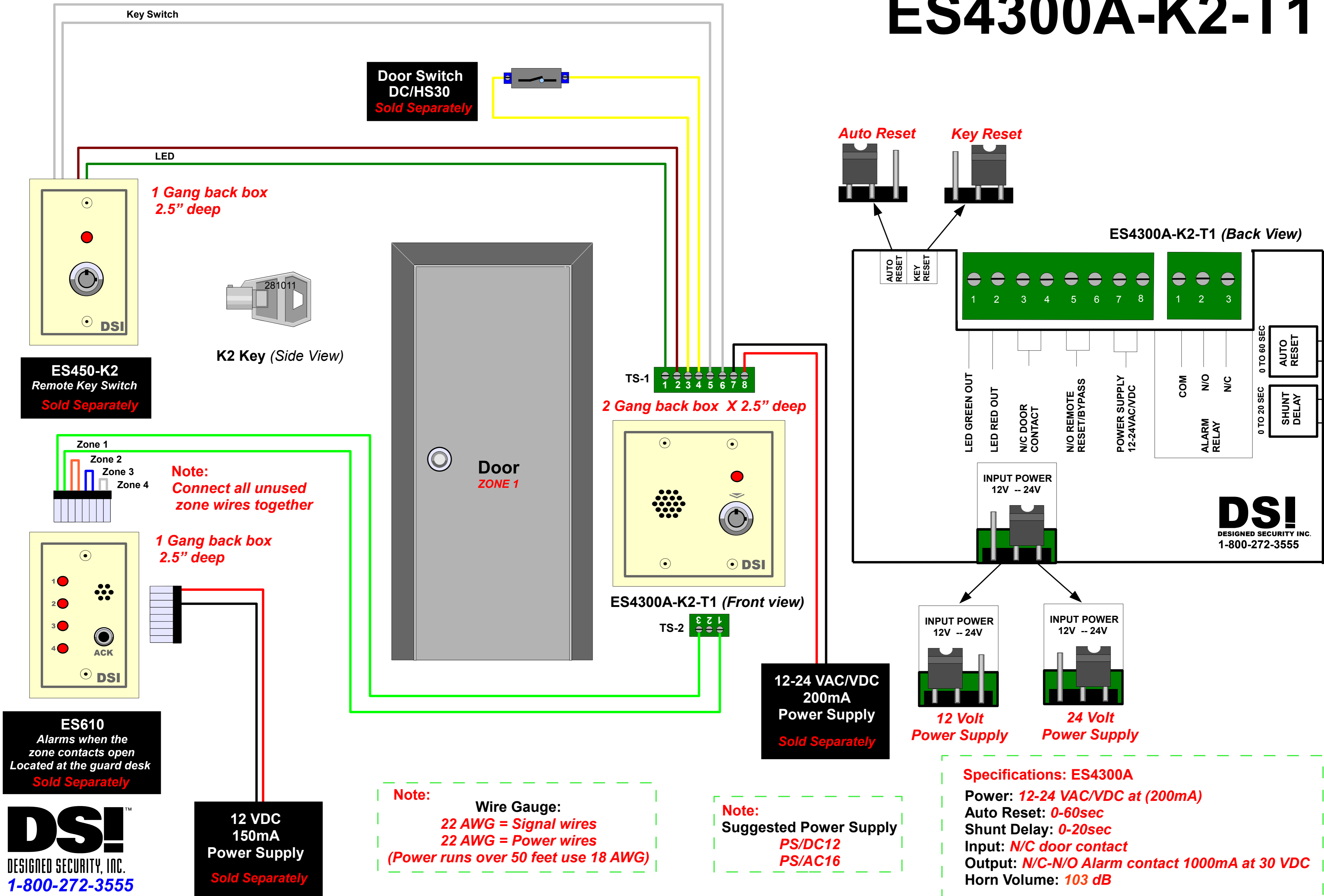


# ES4300A-K2-T1



**Note:**  
**Wire Gauge:**  
 22 AWG = Signal wires  
 22 AWG = Power wires  
 (Power runs over 50 feet use 18 AWG)

**Note:**  
 Suggested Power Supply  
 PS/DC12  
 PS/AC16

**Specifications: ES4300A**  
 Power: 12-24 VAC/VDC at (200mA)  
 Auto Reset: 0-60sec  
 Shunt Delay: 0-20sec  
 Input: N/C door contact  
 Output: N/C-N/O Alarm contact 1000mA at 30 VDC  
 Horn Volume: 103 dB