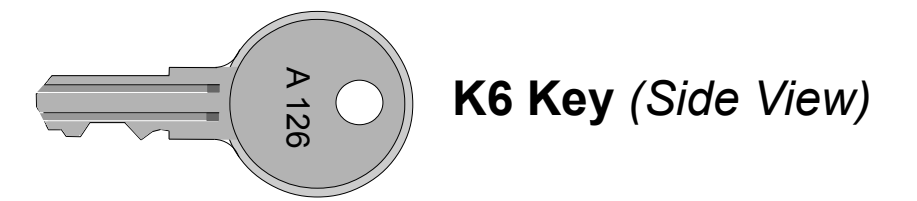
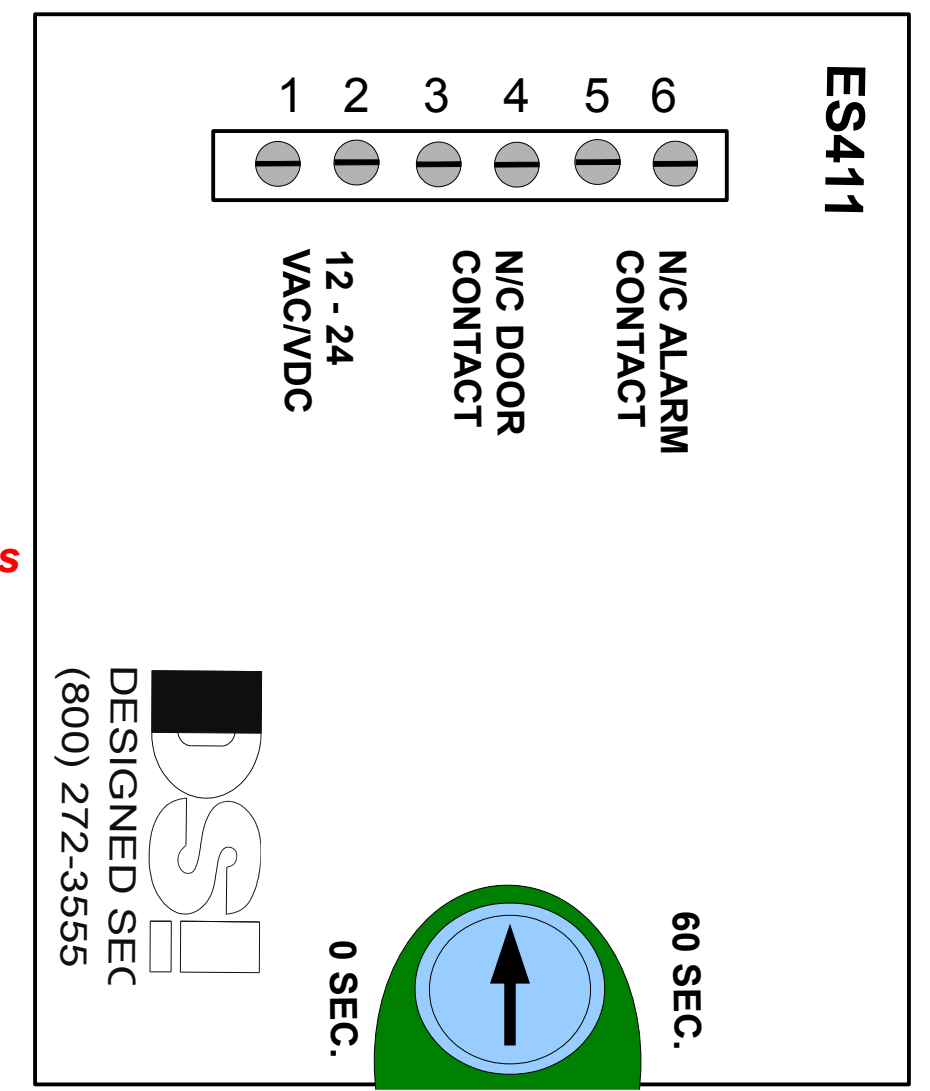
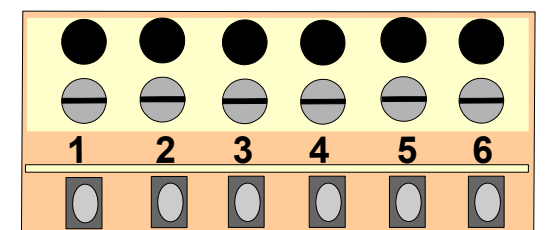


ES411-K6

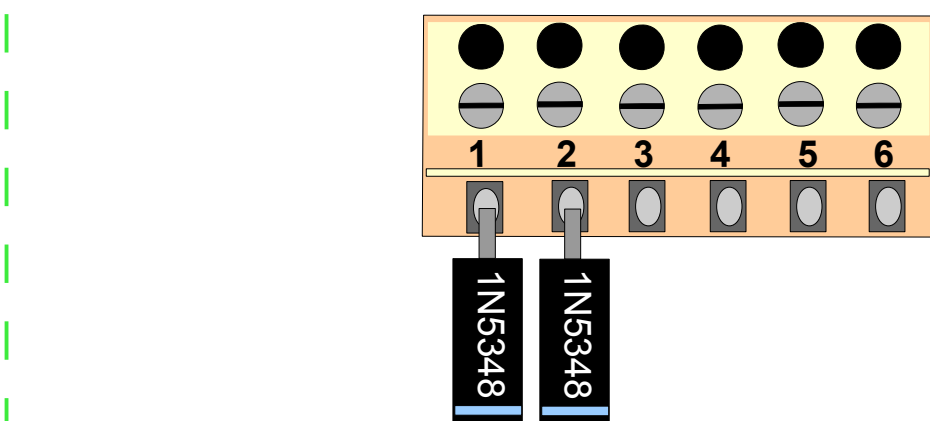


ES411-K6 (Back View)



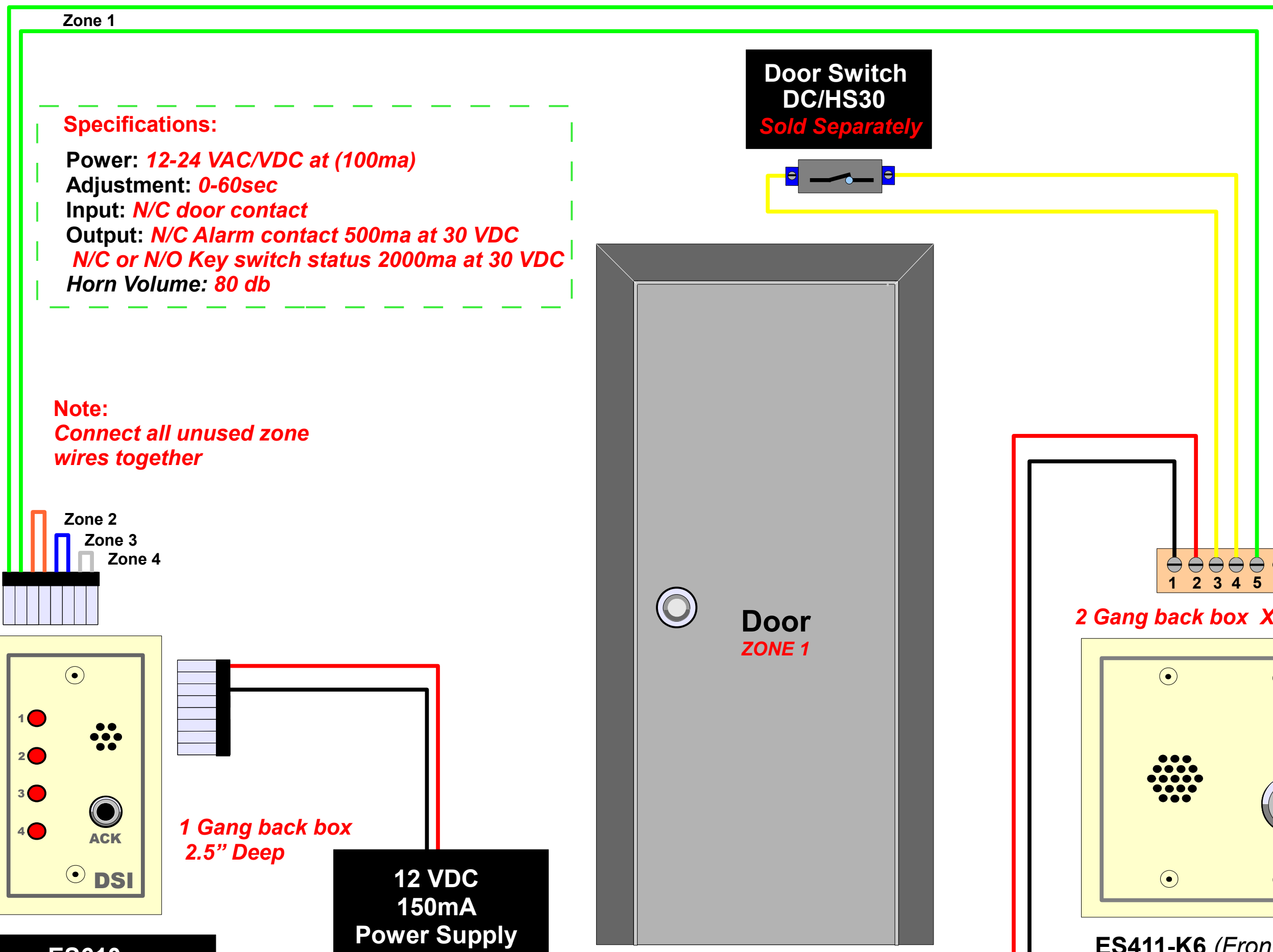
Alarm delay adjustment (0-60sec)

Note: In-line diodes are for 16-24 volt power supplies



Diodes are included

**16-24 VAC/VDC
100mA
Power Supply
Sold Separately**



Specifications:

Power: 12-24 VAC/VDC at (100ma)
Adjustment: 0-60sec
Input: N/C door contact
Output: N/C Alarm contact 500ma at 30 VDC
N/C or N/O Key switch status 2000ma at 30 VDC
Horn Volume: 80 db

Note:
Connect all unused zone wires together

Note:
Key switch status

Note:
Suggested Power Supply
PS/DC12
PS/AC16

Note:
Wire Gauge:
22 AWG = Signal wires
22 AWG = Power wires
(Power runs over 50 feet use 18 AWG)

ES610
Alarms when the zone contacts open
Located at the guard desk
Sold Separately